

5 YEAR WARRANTY



ORIGINE FRANCE GARANTIE  
BY Cert. 6010761

## D-INSP-M

Serving cabinet

Built-in and Flush-fitted – Stainless steel Glass door  
2-temperatures



Wine service area  
(11 bottles)  
ACMSERVW / ACMSERVB



Sliding shelf  
(6 bottles)  
ACMSIW / ACMSIB



Half shelf  
(5 bottles)  
ACMSI-DEMI

### CONFIGURATIONS

Service Pack bottle capacity <sup>1</sup>
51
4 sliding shelves 2 half shelves 1 Wine service area

### TECHNICAL FEATURES

#### REGULATION

- On/Off/Standby of the display button
- Electronic regulation
- Independent temperature setting between both compartments.
  - Temperature setting range from 6 to 11°C for the chilling upper part
  - Temperature setting range from 13 to 18°C for the chamber lower part
- Electronic external display and settings
- LED screen
- Backlit capacitive keys
- Visual and/or sound alarms in case of:
  - Temperature dysfunction (sound and visual)
  - Air vacuum system dysfunction (visual)
  - Sensor fault (sound and visual)
  - Open door (sound and visual)
  - Need to replace charcoal filter (visual)
- Automatic defrost

#### HOT – COLD – INSULATION TECHNOLOGIES

Cold production:	<ul style="list-style-type: none"> <li>• Ventilated</li> <li>• Compressor R600a</li> </ul>
Cords:	<ul style="list-style-type: none"> <li>• CE/UK/AU/CH/US</li> </ul>
Heat production:	<ul style="list-style-type: none"> <li>• Heating element</li> </ul>
Heat release:	<ul style="list-style-type: none"> <li>• Automatic, adjustable threshold</li> </ul>
Inner material:	<ul style="list-style-type: none"> <li>• Stucco aluminum</li> </ul>
Exterior coating material:	<ul style="list-style-type: none"> <li>• HDF (High Density Fiber) melamine-faced panels</li> </ul>
Insulation type:	<ul style="list-style-type: none"> <li>• Injected polyurethane foam (59mm)</li> </ul>

### GENERAL FEATURES

	Stainless steel Glass door
Gross weight packaged (kg)	87
Empty net weight (kg)	78
Dimensions H x W x D (mm)	1320-1380 x 594 <sup>2</sup> x 590
Dimensions packaged H x W x D (mm)	1480 x 645 x 630

### EQUIPMENT & ACCESSORIES

#### EQUIPMENT

- Reversible Stainless steel Glass door with soft close and door stop
- 1 removable head for air vacuum system in the lower compartment (red wine)
- Inner lighting : atmosphere lighting with the light strip and 4 LEDs. 2 under the control panel + 2 under the separation shelf (3 options: permanent, open door, disabled)
- 2 charcoal filters
- 4 adjustable feet
- Lock

#### ACCESSORIES

- Sliding shelves with Mains du Sommelier, open / close locking notch, setting of the Main du Sommelier at the front of the shelf. Wine service area + half shelves.
- 1 insulated separation shelf, fix. (ABS material). Storage area – 6 bts
- 6 removable bottles identifiers per sliding shelf
- 1 erasable felt-tip marker
- 1 microfiber cloth
- 1 EuroCave key ring

### ENERGY EFFICIENCY & CONSUMPTION

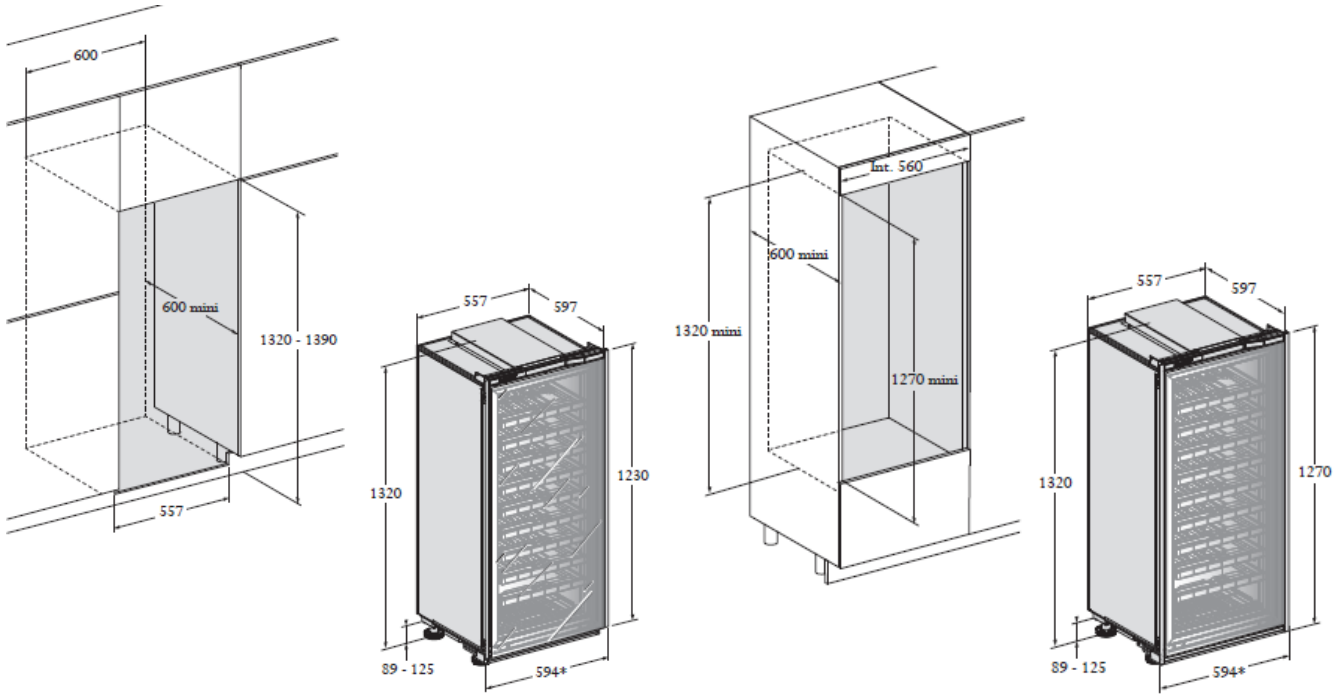
Cords	230V-50Hz (R600a)
Type of door	Stainless steel
Energy efficiency class	A
Annual energy consumption AEC <sup>3</sup> (Kwh/year)	139
Useful volume (liters)	175
Sound emission (dB(A))	38
Ambient temperature range (°C)	12-35

<sup>1</sup> Traditional Bordeaux bottles

<sup>2</sup> With fillers

<sup>3</sup> Calculation based on the result obtained over 24 hrs in standard conditions (25°C / 77°F)

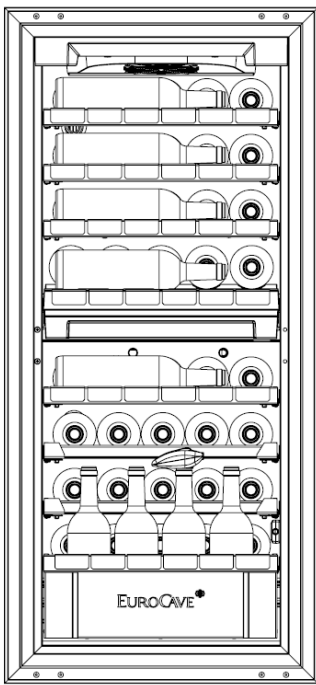
## Installation diagrams



Built-in

Flush-fitted

## Storage layouts



Service Pack  
51 bottles